



- Optical bonding
- 4K/Ultra HD resolution
- Anti-glare glass
- High-precision infra-red touch technology
- Fanless design
- OPS slot
- EasyFix mounting solutions
- Automatic brightness adjustment
- Low energy consumption

## e-Screen STX touch monitor

### STX-8650UHD black

- The displays in the STX range provide high-quality, razor-sharp images in Ultra-HD resolution, creating a perfectly sharp picture and allowing the display of up to 400% more data on your screen compared with a Full-HD display
- Enjoy perfect image quality and never miss a button or scroll bar when working on the screen. Optical-bonded display technology eliminates the airgap found in conventional touch screens resulting in a much brighter, clearer picture
- The multi-touch technology in the STX series can be used with any passive pointing device, such as a finger or the very thin, precision stylus. The optional driver also allows object recognition for Windows 10 computers
- The durable, ultra-slim design of the STX series creates a non-intrusive, minimalistic, professional design that will fit in any business environment
- The built-in automatic brightness sensor guarantees an excellent picture that's comfortable on the eye under all light conditions while significantly reducing energy consumption
- The advanced techniques used to build the display, combined with the use of cover glass just 2 mm thick, mean a 30%-weight reduction compared with conventional large-format touch displays

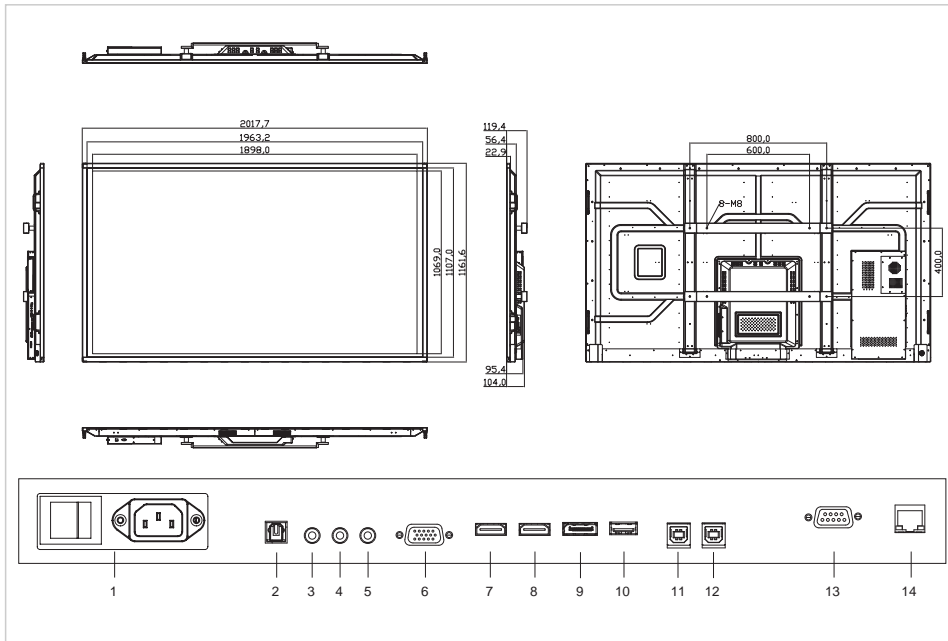
### Recommended accessories

- e-Cleaner for e-Screen Ref.:7-121600
- Ergonomic stylus for e-Screen Ref.:7-192100
- Flipbox software license Ref.:7-197002
- e-Screen EHAXL column system for e-Screen 46-86inch Ref.:7-194262

Ref.: **7-801150-86**

EAN: **8713797087155**





|    |                  |
|----|------------------|
| 1  | Power            |
| 2  | SPDIF            |
| 3  | Audio out        |
| 4  | IR extender      |
| 5  | PC audio in      |
| 6  | VGA (PC)         |
| 7  | HDMI 2           |
| 8  | HDMI 1           |
| 9  | DisplayPort      |
| 10 | Service USB port |
| 11 | Touch USB 2      |
| 12 | Touch USB 1      |
| 13 | RS232            |
| 14 | Ethernet         |

## Specifications

|                                   |  |
|-----------------------------------|--|
| Colour                            | Black  |
| Article dimensions                | 2018 x 1162 x 119 (mm)   |
| Bezel size                        | 27 mm  |
| Viewing angle max                 | H: 178 ° / V: 178 °°   |
| Size diagonal                     | 86"  |
| Brightness                        | 350 cd/m <sup>2</sup>  |
| Contrast ratio                    | 1200:1   |
| Response time                     | 8 ms   |
| Supported colours                 | 1.07 Billion   |
| Display resolution / refresh rate | 3840 x 2160 / 60 Hz  |
| Input resolution / refresh rate   | 3840 x 2160 / 60 Hz  |
| Ops slot                          | yes  |
| Fanless design                    | yes  |
| Display control                   | RS-232C, Keypad, IR remote controller, Ethernet  |
| Automatic brightness adjustment   | yes  |
| Speaker                           | 2x10W@4Ω   |
| Power consumption / Standby       | 380 / 0.5 (Watt)   |
| Durability / Lifespan             | 16/7 / - hours   |
| Input connectors                  | HDMI 2.0 (2x), Display port 1.2, VGA, PC audio-in, IR extender   |
| Output connectors                 | Audio-out, SPDIF audio-out   |
| Touch technology                  | High Precision Advanced Infra-red  |
| Touch operation                   | 2mm passive stylus, Finger, Glove, Stylus, Palm  |
| Number of touch points            | 20   |
| Driver                            | Win: plug and play (optional driver) / Mac: driver   |
| Sup. operating systems            | Windows 10, Windows 8.1, Windows 8, Windows 7, Mac OSX   |
| Package contents                  | e-Screen, Remote control unit, Quick setup guide, Power cable 1,8m, IR extender, USB flash drive, EasyFix Cable Clips, HDMI cable, USB cable, 2mm stylus |
| Product warranty                  | 5 years  |

## Logistics

|                    |                        |
|--------------------|------------------------|
| Packing dimensions | 275 x 2170 x 1295 (mm) |
| Weight (gross/net) | 81.50 kg / 64.50 kg    |